

Guangxi Guilin Shengui Science & Technology Co., Ltd

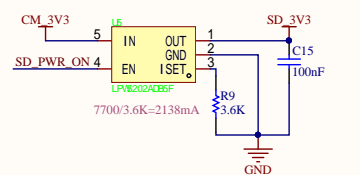
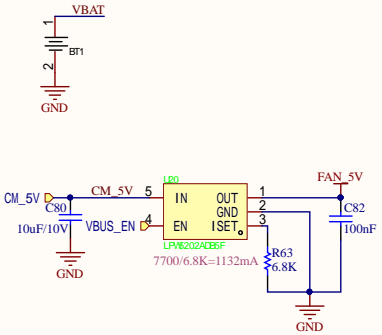
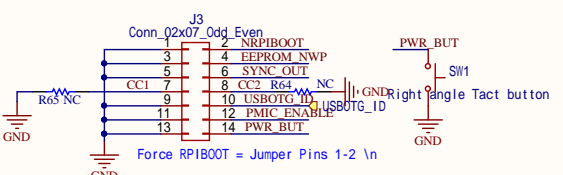
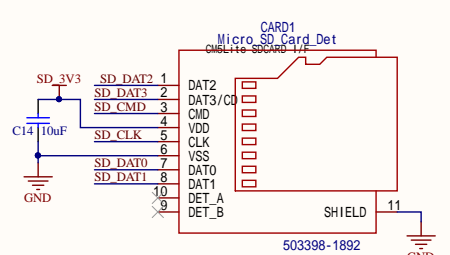
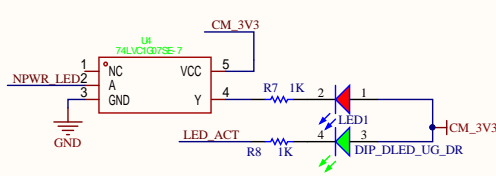
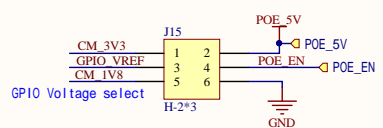
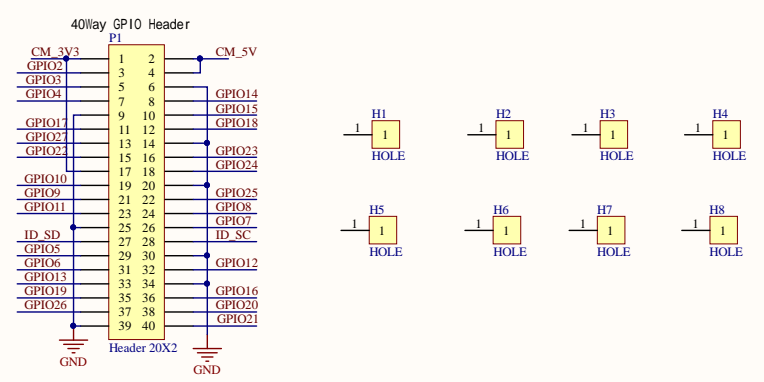
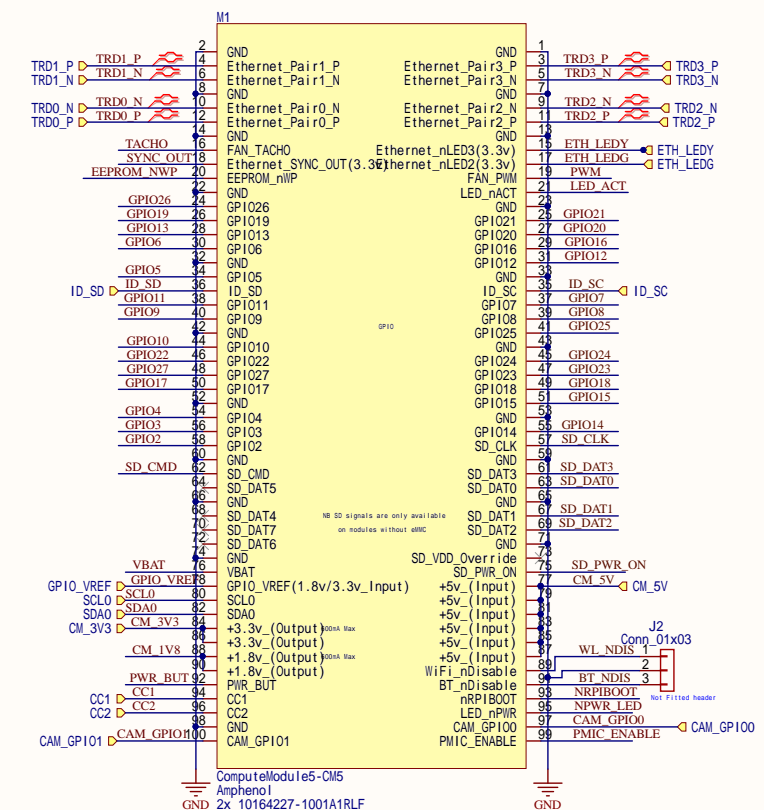
TITLE:

DRAWER: APPROVER:

REV: DATE:

SIZE: A3 SHEET:

Date	Rev	Change descriptions	Changer	Approver

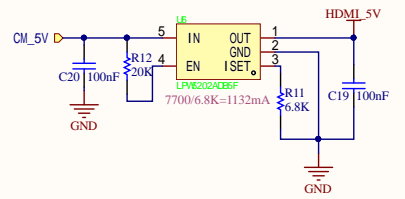
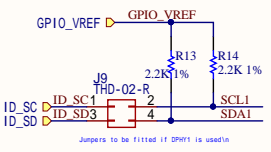
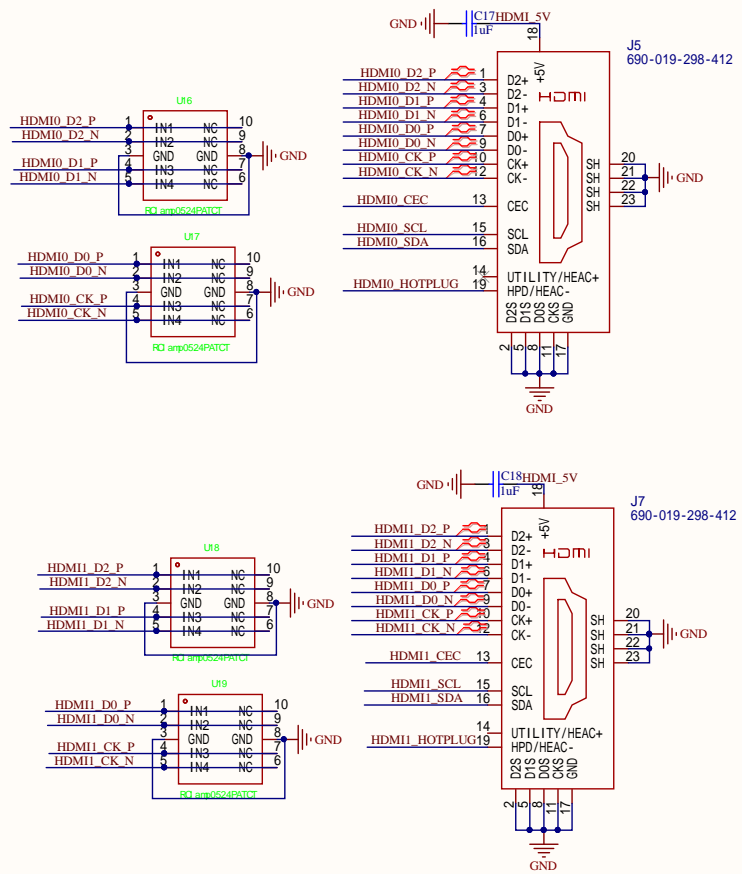
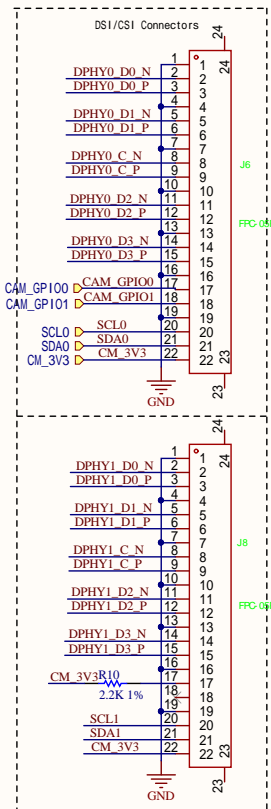
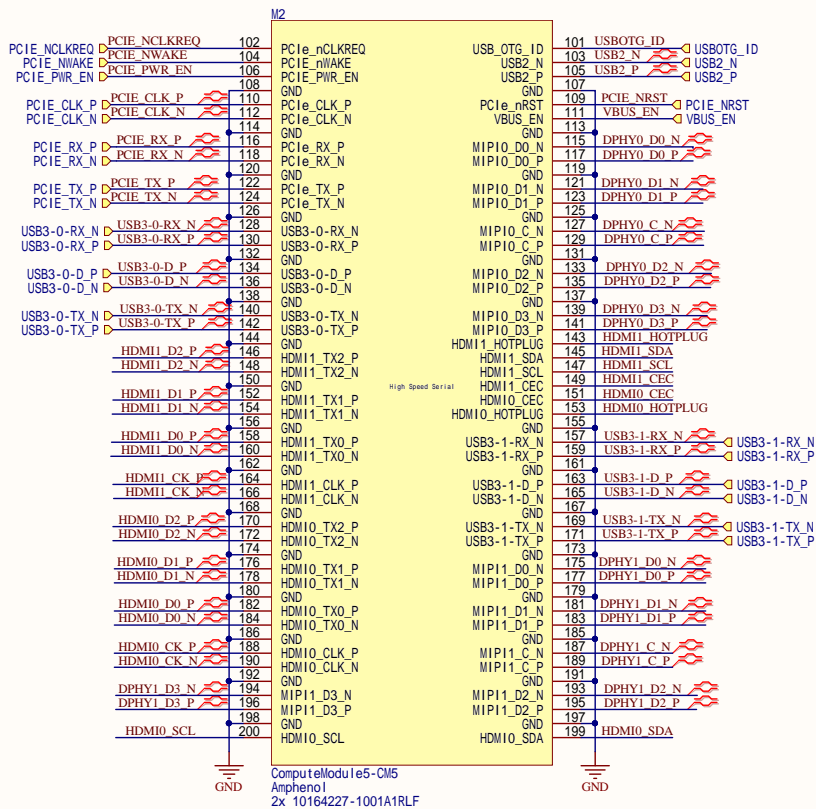


SENGREAT

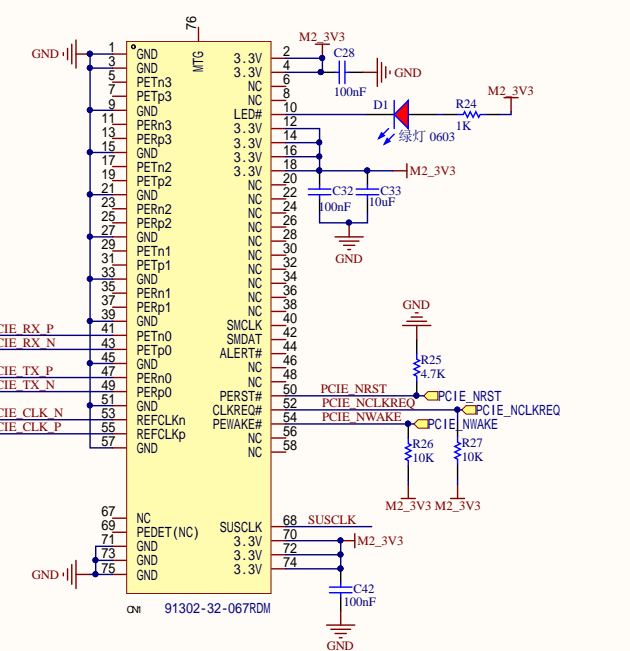
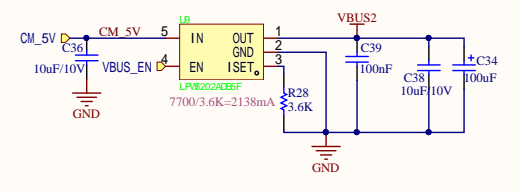
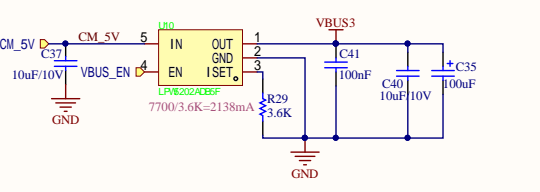
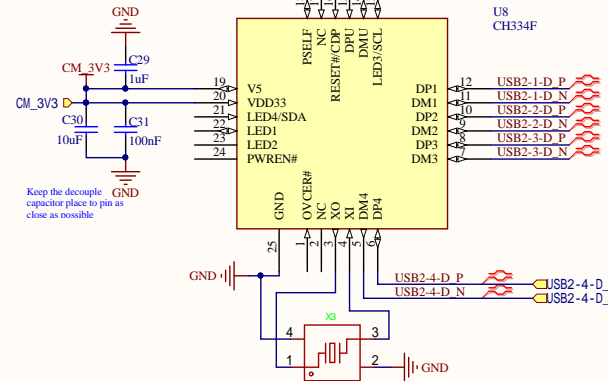
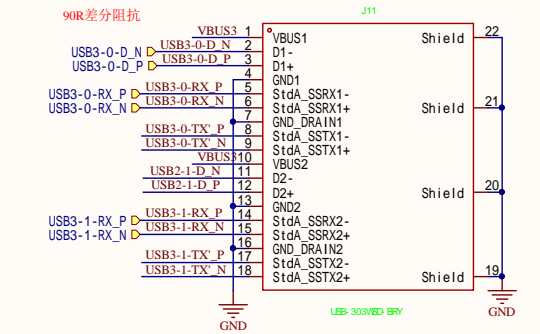
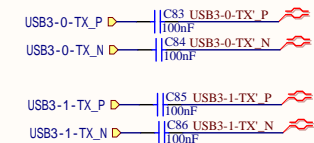
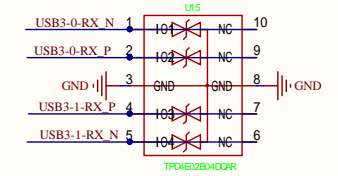
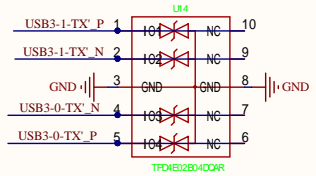
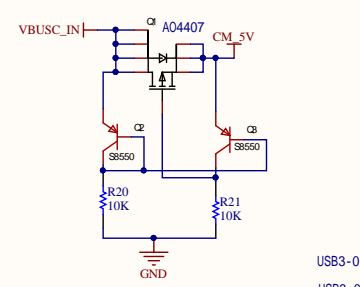
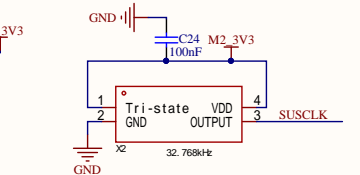
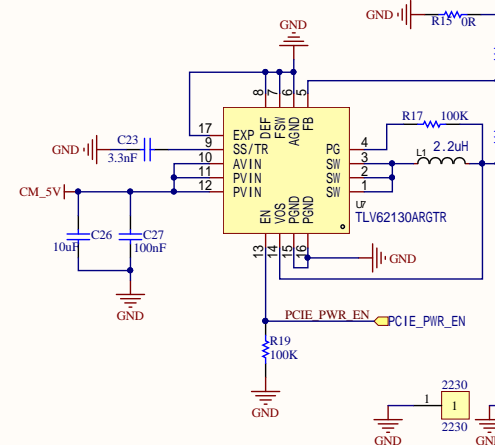
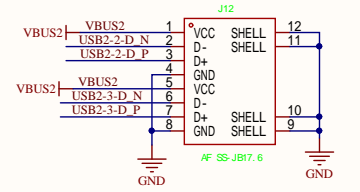
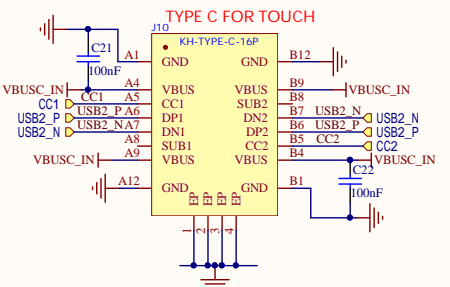


Guangxi Guilin Shengui Science & Technology Co., Ltd

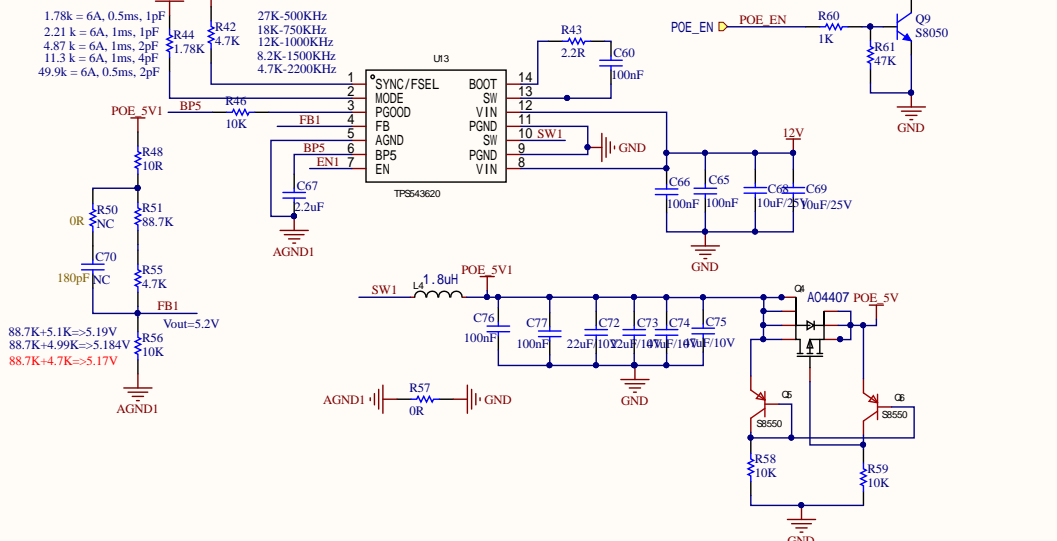
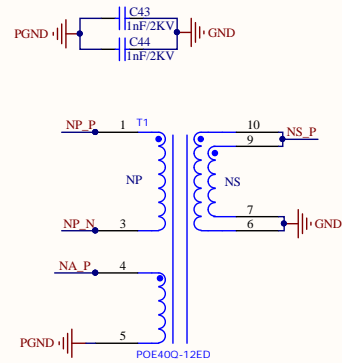
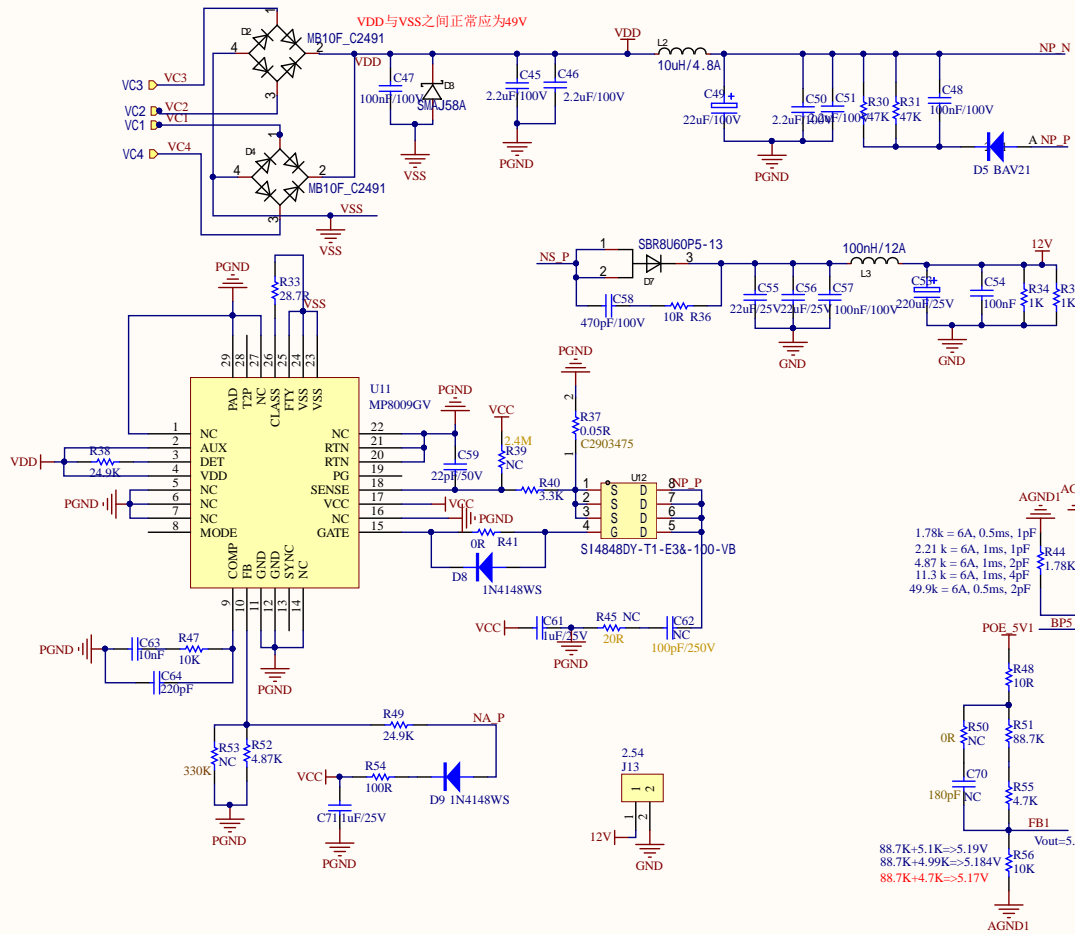
TITLE:				
DRAWER:		APPROVER:		
REV:		DATE:		
Date	Rev	Change descriptions	Changer	Approver
SIZE: A3		SHEET:		



					Guangxi Guilin Shengui Science & Technology Co., Ltd	
					TITLE:	
					DRAWER:	APPROVER:
					REV:	DATE:
Date	Rev	Change descriptions	Changer	Approver	SIZE: A3	SHEET:



Guangxi Guilin Shengui Science & Technology Co., Ltd				
TITLE:				
DRAWER:		APPROVER:		
REV:		DATE:		
Date	Rev	Change descriptions	Changer	Approver
SIZE: A3		SHEET:		



Guangxi Guilin Shengui Science & Technology Co., Ltd

TITLE:					DRAWER:		APPROVER:	
REV:					REV:		DATE:	
Date	Rev	Change descriptions	Changer	Approver	SIZE: A3	SHEET:		